

## Compressor Chiller Air-Cooled (CCAC)



The Jetson CCAC scroll compressor chiller is a remote condensing solution designed for quiet, efficient, and reliable performance. Ideal for comfort cooling, process cooling, and ice-making, it suits educational, healthcare, office, municipal, and light industrial applications.

JET17-106

**JetsonHVAC.com**  
903.758.2900 (Office)  
903.758.2903 (Fax)  
Sales@JetsonHVAC.com

# Compressor Chiller Air-Cooled

## Flexibility of Design

Capacities range from 20 to 75 tons. For the 40, 50, 65, and 75-ton models, CCAC compressor chillers feature dual independent refrigerant circuits. These circuits consist of tandem scroll compressors in one circuit and a single scroll compressor in the other, reducing capacity loss in the event of a compressor failure and optimizing capacity steps.



## Serviceability

CCAC compressor chillers feature a service-friendly design, enabling the replacement of all major components without the need for a complete unit tear down. This ensures easy maintenance and reduces downtime, keeping operations running smoothly.

## Integration

CCAC compressor chillers are designed for seamless integration with remote air-cooled condensers specially Jetson ACCR (Air-Cooled Condensers). The CCAC's controller offers complete chiller control over the ACCR fans, ensuring reliable performance. Additionally, various controller communication protocols are available to enhance compatibility.



ACCR (Air-Cooled Condensers)

Compressor Chiller Model	Condenser Model
CCAC 25	ACCR 25
CCAC 30	ACCR 30
CCAC 40	ACCR 40
CCAC 50	ACCR 50
CCAC 65	ACCR 60
CCAC 75	ACCR 70

**R-454B CCAC units come standard with an enclosure that enhances the precision of the refrigerant leak detection system.**

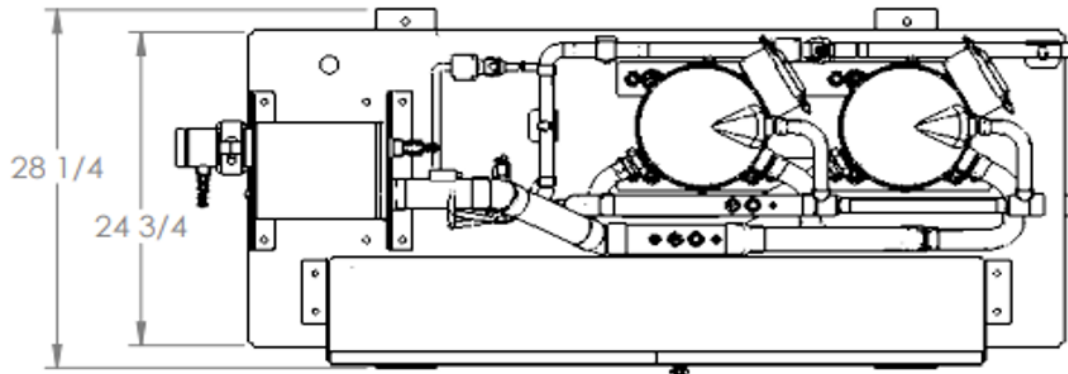
## Features & Options

- ≡ Available in six sizes ranging from 20 to 75 nominal tons.
- ≡ Dual circuit refrigeration systems for greater operating redundancy.
- ≡ Intuitive, factory installed microprocessor-based controller compatible with BACnet®, Modbus®, and LonTalk®.
- ≡ Keypad controller interface standard or optional 15.4" Touchscreen for viewing machine performance and easy access for service and maintenance personnel.
- ≡ Fused or non-fused disconnect switches are available factory installed.
- ≡ Compressor acoustic hoods and/or sound isolating cabinets are available for sound sensitive applications.
- ≡ Designed to fit through standard doorways.
- ≡ Factory charged with dry nitrogen.
- ≡ Built-in R-454B refrigerant leak detectors and an enclosure that improve the precision of the detection system.

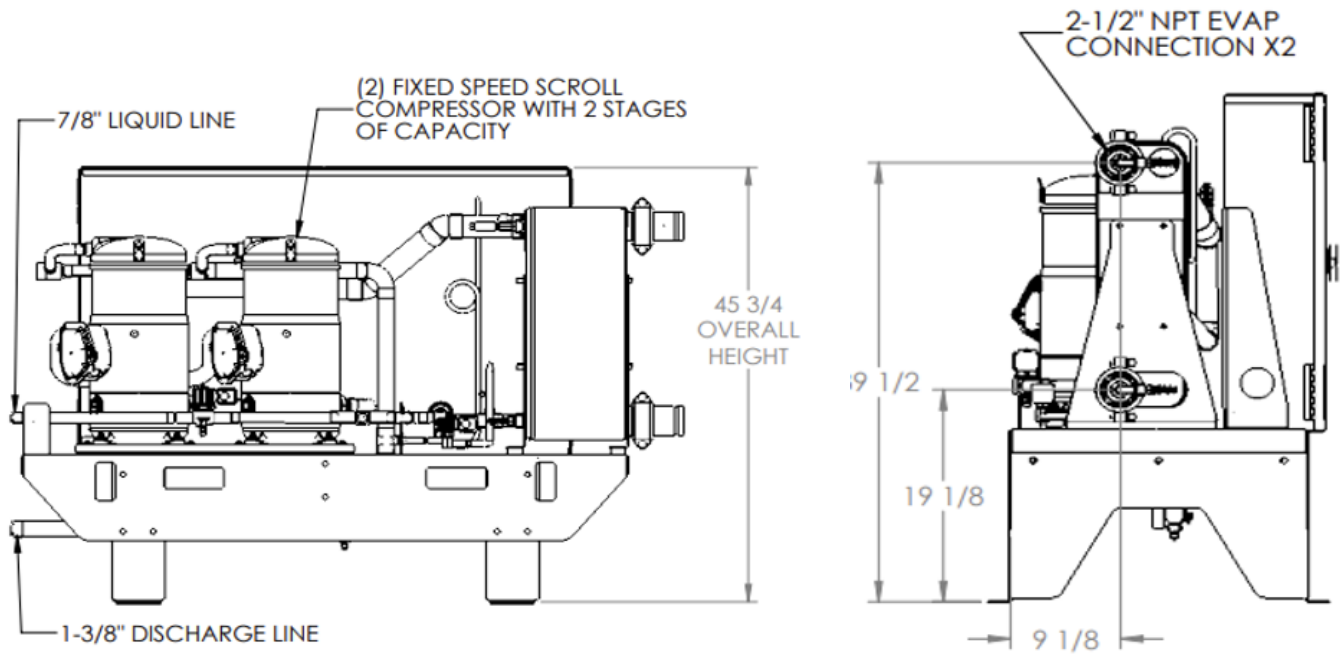
## General Data

Unit Size			20	30	40	50	65	75
<b>Compressor</b>								
Quantity	each		2	2	3	3	3	3
Nominal @ 60 Hz	tons		10/10	15/15	10/10, 20	12/12, 25	15/15, 30	15/15, 40
Steps of Unloading	%		100-50	100-50	100-75-50-25	100-75-50-25	100-75-50-25	100-79-57-21
Compressor Sound Power Data <sup>(a)</sup>	dBA		81.0	84.0	87.2	87.5	90.2	91.8
Compressor Sound Data with Sounds Blankets Only <sup>(a)</sup>	dBA		75.0	78.0	82.8	83.0	85.8	87.5
<b>Evaporator</b>								
Water Storage	gal		2.1	3.0	3.1	3.7	4.6	6.6
Minimum Flow	gpm		30	45	66	82	104	75
Maximum Flow	gpm		104	151	207	237	295	264
<b>General Unit</b>								
Refrigerant			R-454B	R-454B	R-454B	R-454B	R-454B	R-454B
Number of Independent Refrigerant Circuits			1	1	2	2	2	2
Oil Type			POE 160SZ	POE 160SZ	POE 160SZ	POE 160SZ	POE 160SZ	POE 160SZ
Oil Charge (each compressor)	oz		112/112	113/113	112/122, 227	112/122, 227	112/122, 227	112/122, 227

## Dimensions without enclosure

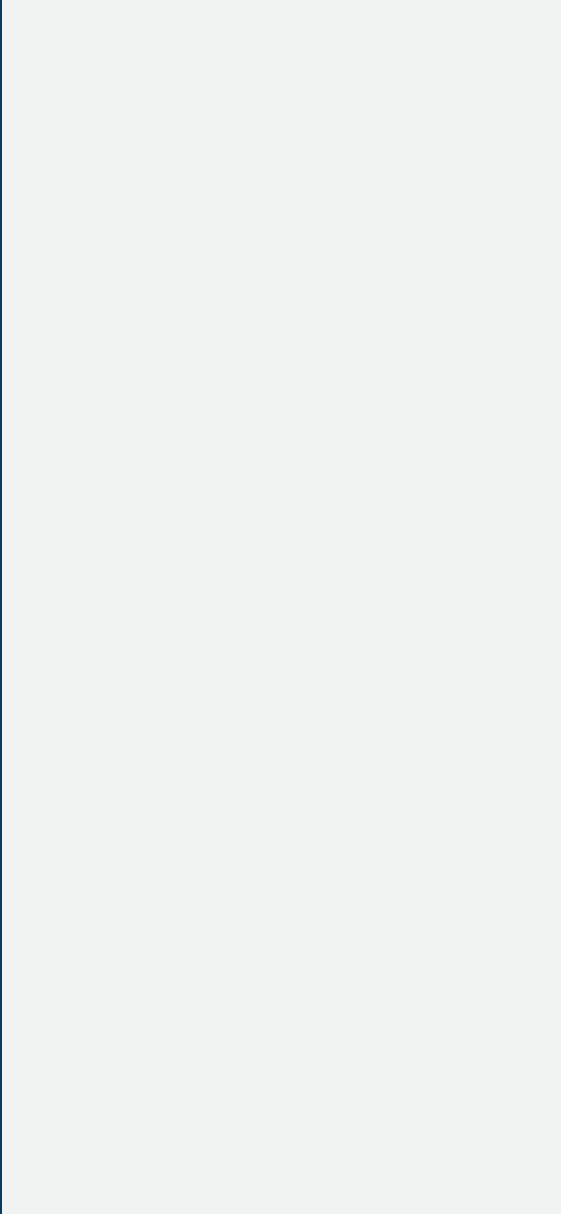


**30-ton  
CCAC**



CCAC Dimensions without enclosure						
Unit Size	20	30	40	50	65	75
Length	67.75"	65.50"	87.12"	87.70"	88.37"	96.43"
Width	28.75"	28.75"	29.70"	29.70"	29.70"	29.70"
Height	45.75"	45.75"	45.75"	45.75"	45.75"	45.75"

For dimensions of the unit with enclosure, please contact [sales@jetsonhvac.com](mailto:sales@jetsonhvac.com).



**Jetson**  
by **MODINE**

JET17-106

**JetsonHVAC.com**  
903.758.2900 (Office)  
903.758.2903 (Fax)  
Sales@JetsonHVAC.com